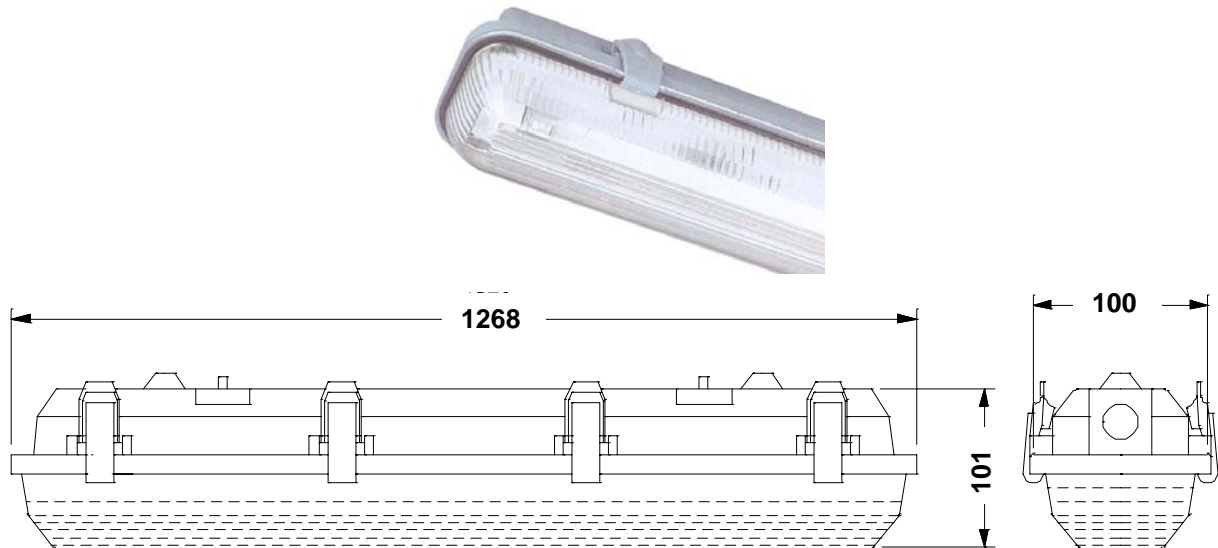




INDUSTRIAL LIGHTING

BJI 136/140 PC WEB1



NOMINAL DIMENSIONS IN mm Tolerance +/-5

Application

Dairies, Chemical industries, Food processing plant, Laboratories, Paint factories, Paper mills, Textile mills, Car washing bay, Catering kitchens, Grain shops.

Specification

- This corrosion resistance FTL lamp Luminaire comprises of control gear housing with SS toggles and cover made of polycarbonate.
- CRCA gear tray cum reflector is finished in white powder coating.
- Cable entry is sealed with silicon.
- Completely prewired with accessories up to terminal block.
- Hingeable Clear polycarbonate cover is fixed to the housing by toggles.
- Wired with HF electronic ballast.
- Finish: Housing Grey.
- Degree of protection: IP 65

Electrical Data

Cat. Ref.	Lamp Type & Wattage (W)	Nominal Voltage (V)	Mains Current in Amps. at 240 V	Power Factor
BJI 136/140 PC WEB1	1 x FTL 36/40	240	0.156	≥ 0.90

Data subject to variation due to change/improvement in the design, materials and processes.

<p>BAJAJ LUMINAIRES Making the difference</p>	DRAWN	KPM	10-11-2008	FOR - STD.
	CHECKED	DVRS		REV - 1 DATE-10-11-2008
	APPROVED	CRR		DRG.No
	DATA SHEET RELEASED ON DT-			I 140 PC WEB1 - 001
BAJAJ ELECTRICALS LIMITED 15/17, SANT SAVTA MARG, REAY ROAD, MUMBAI-400 010.				* E-mail : luminaires@bajajelectricals.com