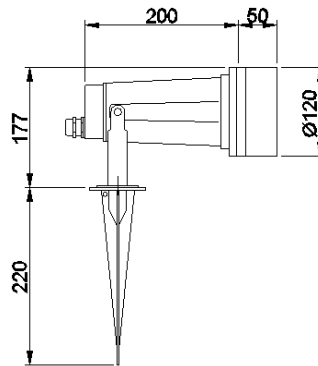


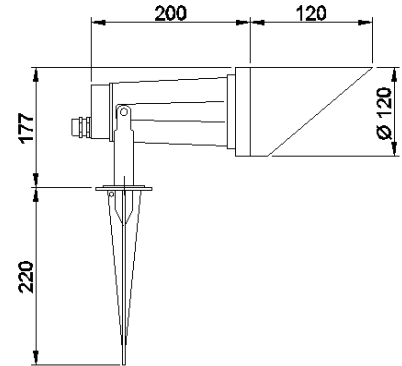


Le Magique
LANDSCAPE LIGHTING

BAJAJ BESBL 150 DH / BESGBL 150 DH



BESBL 150 DH



BESGBL 150 DH

NOMINAL DIMENSIONS IN mm Tolerance +/-5

Features & Benefits

- Polyester black powder coated die cast aluminium with spike to install ⇒ elegant and compact in design
- Adjustable bracket assembly ⇒ easy to focus the object
- Wired with accessories suitable for 50W dichroic halogen lamp ⇒ energy efficient & low operating cost

Electrical Data

Cat. Ref.	Lamp Type & Wattage (W)	Lamp Base	Nominal Voltage (V)
BESBL 150 DH	DH 1x50	GU10	230
BESGBL 150 DH	DH 1x50	GU10	230

Data subject to variation due to change/improvement in the design, materials and processes.

<p>BAJAJ LUMINAIRES Making the difference</p>	DRAWN	KPM	05-02-2008	FOR – STD.
	CHECKED	DVRS		REV - 0 DATE-05-02-2008
	APPROVED	CRR		DRG.No
	DATA SHEET RELEASED ON DT-			BESGBL 50 DH-001
BAJAJ ELECTRICALS LIMITED 15/17, SANT SAVTA MARG, REAY ROAD, MUMBAI-400 010.				* E-mail : luminaires@bajajelectricals.com